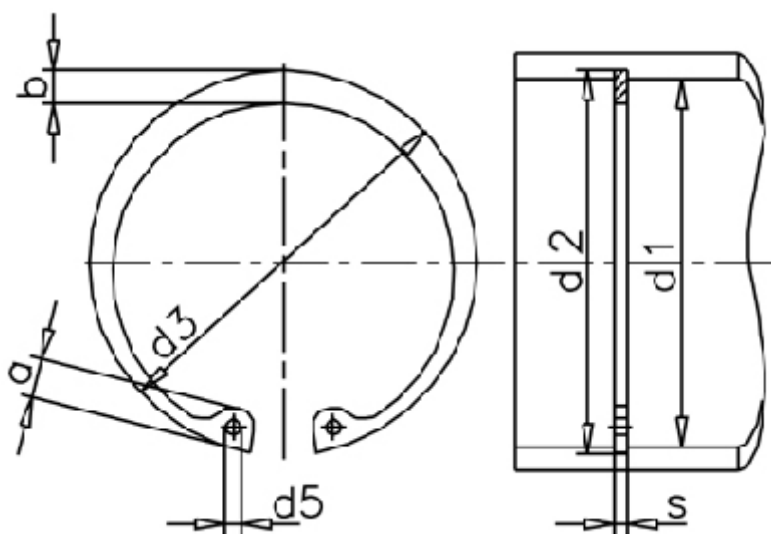


Article number: 0102076

Description: Retaining ring J60 DIN472  
Spring steel

## Measures



|                    |         |               |         |                |              |
|--------------------|---------|---------------|---------|----------------|--------------|
| a max              | = 7.3   | FN kN         | = 48.30 | t              | = 1.50       |
| AN mm <sup>2</sup> | = 290.0 | FRg kN        | = 13.0  | tol            | = +0,30      |
| b                  | = 5.4   | FR kN         | = 61.0  | tol            | = +1,10-0,46 |
| d1                 | = 60    | g             | = 2.0   | tol            | = -0.07      |
| d2                 | = 63.0  | K kN-mm       | = 113.0 | Tong           | = ZGJ-3      |
| d3                 | = 64.20 | m min         | = 2.15  | Weight kg/1000 | = 11.10      |
| d5 min             | = 2.5   | Nominal drive | = 4.5   |                |              |
| Description = J 60 |         | s             | = 2.00  |                |              |